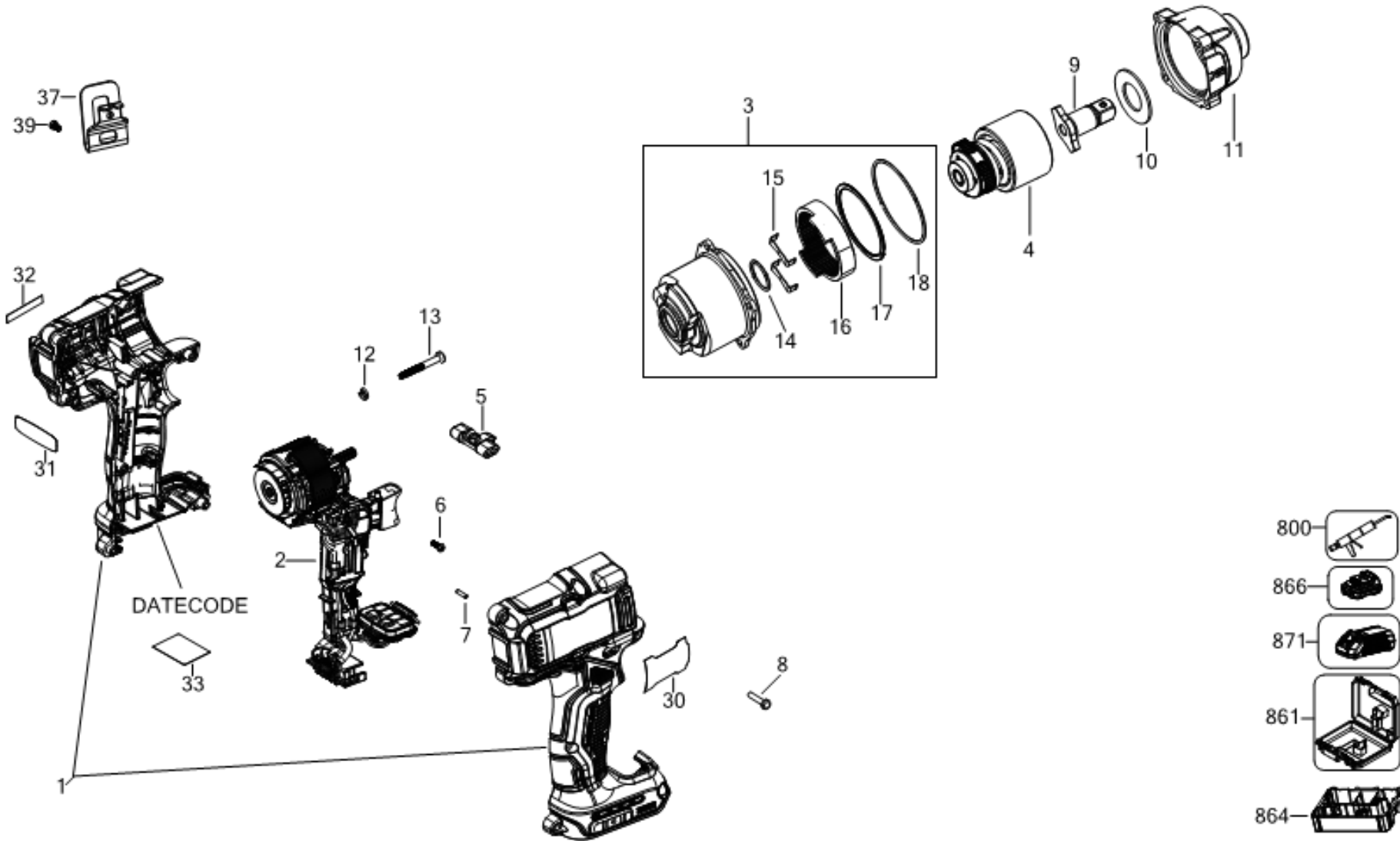


**DeWALT**

DCF892

Typ  
1



DCF892N IMPACT WRENCH 1

©

E21086

[www.2helpU.com](http://www.2helpU.com)

12/11/2021

## Parts List DCF892N IMPACT WRENCH 1

Item	Part Number	Qty	Part Description	General Description	Other Info	Repair Inst	Markets
1	N896695	1	CLAMSHELL SET			No	XJ
2	NA016963	1	MOTOR & SWITCH SA			No	XJ
3	NA020584	1	GEARCASE SA			No	XJ
4	NA016971	1	IMPACTOR			No	XJ
5	N473670	1	ACTUATOR FWD/REV			No	XJ
6	N719210	1	SCREW			No	XJ
7	N071836	1	ROLL PIN			No	XJ
8	90611830	9	SCREW			No	XJ
9	NA142746	1	ANVIL ASSEMBLY		DETENT	No	XJ
10	N699996	1	WASHER THRUST			No	XJ
11	NA016760	1	NOSE SA			No	XJ
12	N529458	4	WASHER LOCK			No	XJ
13	N516846	4	SCREW			No	XJ
14	N438625	1	O RING			No	XJ
15	N484792	2	BEARING PLATE			No	XJ
16	N465624	1	GEAR			No	XJ
17	N482343	1	RING			No	XJ
18	N458130	1	O RING			No	XJ
30	NA006253	1	RATING PLATE		EURO	No	XJ
31	NA006997	1	LABEL			No	XJ
32	NA007356	1	BRAND LABEL			No	XJ
33	NA006255	1	LABEL		FOOT	No	XJ
37	N086039	1	HOOK			No	XJ
39	N042665	1	SCREW			No	XJ
800	N017298	1	GREASE	G-2008 Molykote		No	XJ
801	N475660	1	GREASE	GREASE, NYE NYOGEL 7	TERMINAL	No	XJ
861	N279261	1	KITBOX			No	XJ
864	N521549	1	INSERT			No	XJ